

# FOUNDATION

## STEEL FOUNDATION

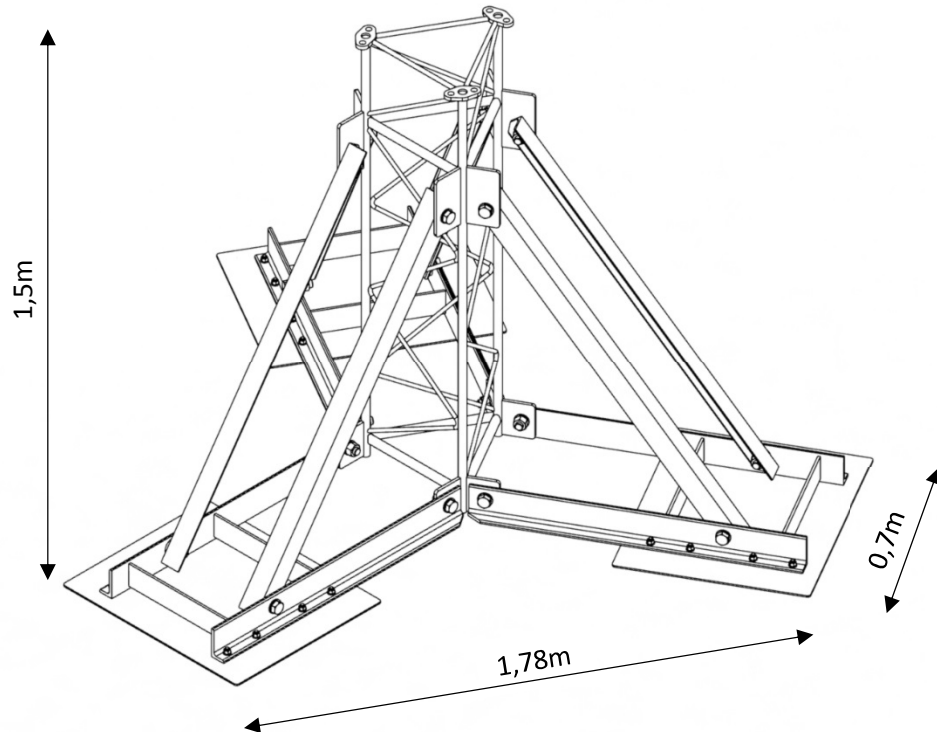
### DATA SHEET

Product nr.  
Ref. nr.  
Latest rev.

SF301-00  
01.60.12.10  
15.10.2018



## SF301-00



#### Application:

The foundation can be applied to the given sections: 201T-00, 201-00, 301T-00 and 301-00 for the following lattice towers:

- 7,5m lattice tower, series 1
- 9,0m lattice tower, series 0
- 12,0m lattice tower, series 0

#### Specification:

The foundation is composed by hot dip galvanized tapered lattice sections of the type SEK201 / 301. Also, it consists of a triangular lattice section, having 3 metal plates used in the supports and 6 L – shaped bars.

Easy for digging out and can be used for general soil conditions.

#### Soil:

By dimensioning it is assumed that the soil on the foundation should be:

Friction sand with  $\geq 30^\circ$ , or

Learning with  $C_v > 80 \text{ kN/m}^2$

Highest groundwater level should be lower than the bottom of the foundation.

#### Installation:

The foundation is placed on a flat sand layer at the base of a 1.45m excavation with a diameter of 2.6m. Then refill the pit with the excavated soil, assuming an effective bulk density of at least  $1800 \text{ kg/m}^3$ . Stamping is necessary.

Ensure that the tower base plates are absolutely horizontal.